

VERTICAL AIR RECEIVERS

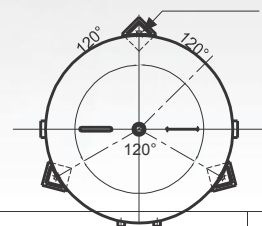
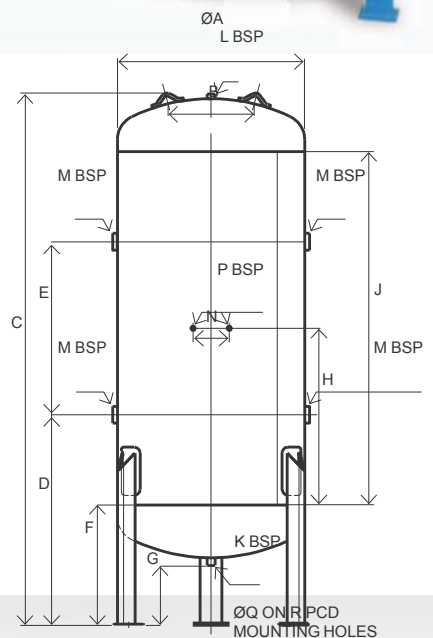
Our popular range of vertical air receivers that are specifically designed for use in industrial compressed air systems. These premium quality pressure vessels are exclusively made in our affiliated factory that is ISO 9001 compliant.

Save time and money when purchasing a vertical air receiver by selecting from our extensive stock of competitively priced pressure vessels that are available for immediate delivery to anywhere in Australia.



Unique Features

- Design safety verified in accordance with Australian Standard AS 1210.
- Manufacturer's Data Report provided in accordance with Australian Standard AS 4458.
- OH&S Registered Design approved for workplace use in all Australian States and Territories.
- Industry preferred socket sizes and placement. Reinforced vessel support attachments.
- External surfaces are abrasive blast cleaned, primed and finish coated in two-pack polyurethane paint.
- Dulux® Process Blue external colour indicates compressed air content in accordance with Australian Standard AS 1345.
- Individually packed in a horizontal position inside a full timber crate with plastic bag cover.
- Design optimized for ease of handling, transport, storage and installation.



PRODUCT CODE	VOLUME Litres	DESIGN PRESSURE		A	B	C	D	E	F	G	H	J	K	L	M	N	P	Q	R	WEIGHT kg
		kPa	psi	mm	mm	mm	mm	mm	mm	mm	mm	mm	inch	inch	inch	mm	inch	mm	mm	
FS V150LP	150	1,240	180	390	214	1,700	750	450	375	250	622	1,200	1/2	3/4	1-1/2	150	1/2	14	388	80
FS V330LP	330	1,220	177	490	250	2,210	780	900	405	250	825	1,650	1/2	3/4	1-1/2	150	1/2	14	505	152
FS V530LP	530	1,215	176	640	300	2,140	820	750	445	250	750	1,500	1/2	3/4	2	150	1/2	14	667	233
FS V820LP	820	1,225	178	780	360	2,215	875	720	500	250	735	1,470	3/4	3/4	2	150	1/2	18	791	390
FS V1240LP	1,240	1,100	160	975	500	2,213	889	690	514	250	720	1,440	3/4	1	2	150	3/4	18	967	552

• Design temperature range: 0°C to 100°C. • Design fluid contents: Non harmful gas. • Inspection openings and nameplate not shown for clarity.
 • All socket threads are BSPP (British Standard Pipe Parallel).

